

---

**Ultra Low Capacitance TVS Diode Array**

---

***IEC Compliance***

- ◆ IEC 61000-4-2 (ESD)  
8KV - Contact Discharge  
15KV - Air Discharge
- ◆ IEC 61000-4-4 (EFT) 40A (5/50ns)

***Application***

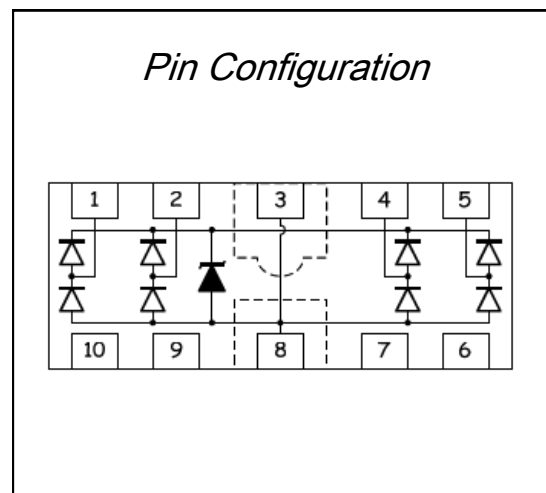
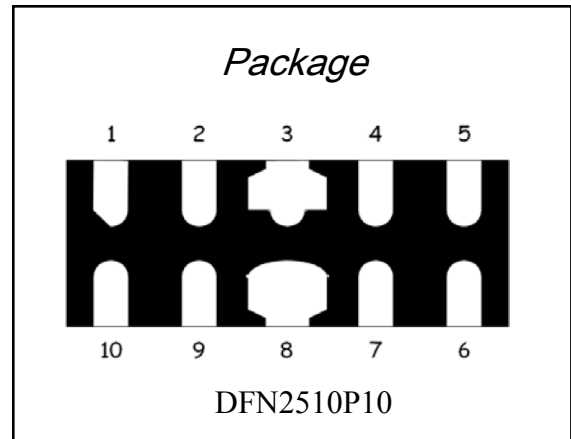
- ◆ Ethernet Application
- ◆ HDMI Application
- ◆ Handheld Device
- ◆ Computer

***Features***

- ◆ 45W Peak Pulse Power
- ◆ Low Clamping Voltage
- ◆ Low Leakage Current
- ◆ 4 Line Protection

***Mechanical Characteristics***

- ◆ DFN2510P10 Package
- ◆ Weight 2.5 Milligram (Approximate)
- ◆ Flammability Rating UL94V-0
- ◆ Lead Free Plating
- ◆ Reel Size 7"
- ◆ 3,000 PCS Per Reel



**DEVICE CHARACTERISTICS**

Maximum Rating			
Parameter	Symbol	Value	Units
Peak Pulse Power (tp=8/20us waveform)	P <sub>PP</sub>	45	Watt
Lead Soldering Temperature	T <sub>L</sub>	260 (10s)	°C
Operating Temperature Range	T <sub>J</sub>	-55~150	°C
Storage Temperature Range	T <sub>STG</sub>	-55~150	°C

Electrical Characteristics (@25 °C)							
Part Number	Device Marking	V <sub>RWM</sub> (Volt)	V <sub>B</sub> (Volt)	V <sub>C</sub> (Volt)	I <sub>PP</sub> (A)	I <sub>R</sub> (uA)	C <sub>J</sub> (pF)
NLULC3324P	P32A	3.3	4.0	8.8	5	1	0.5

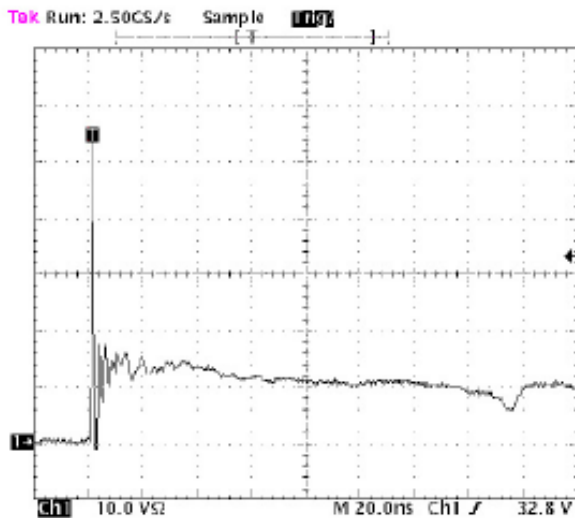


Figure1. Clamping waveform of positive 8KV ESD contact

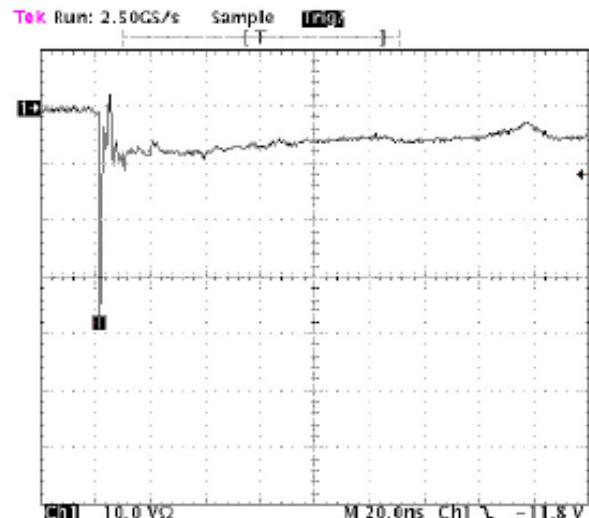
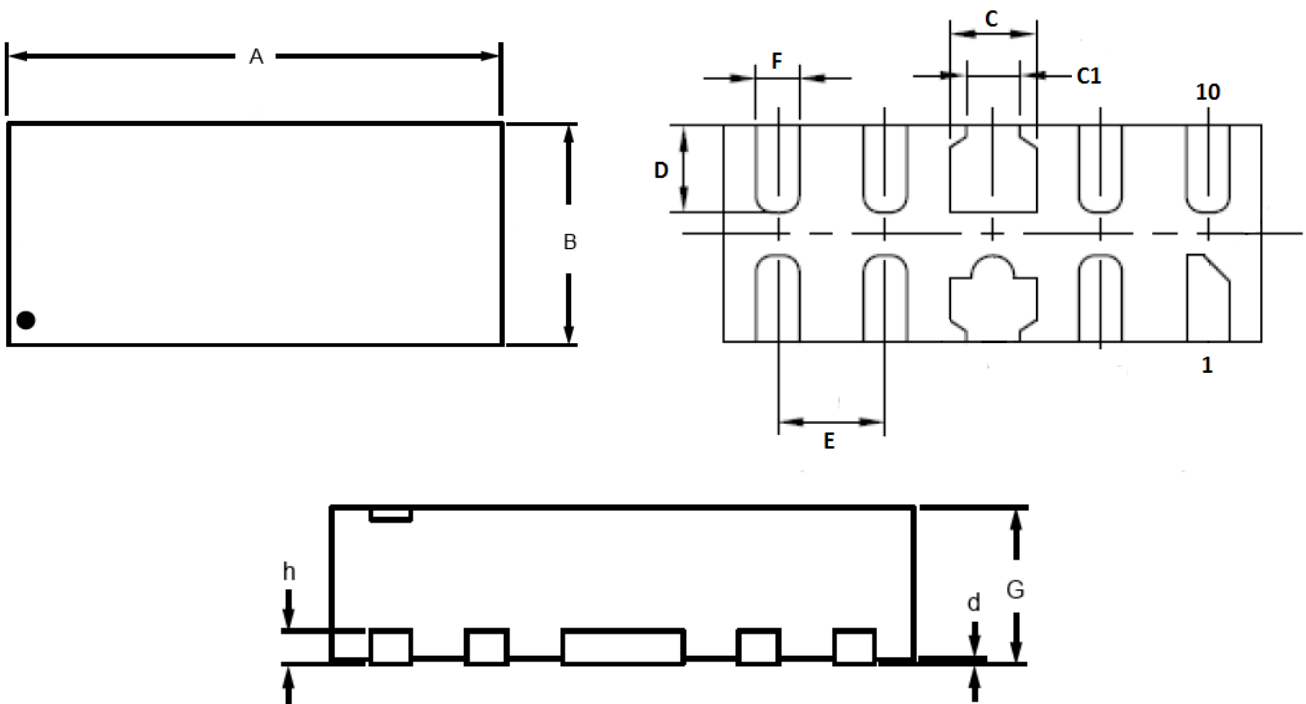


Figure2. Clamping waveform of negative 8KV ESD contact

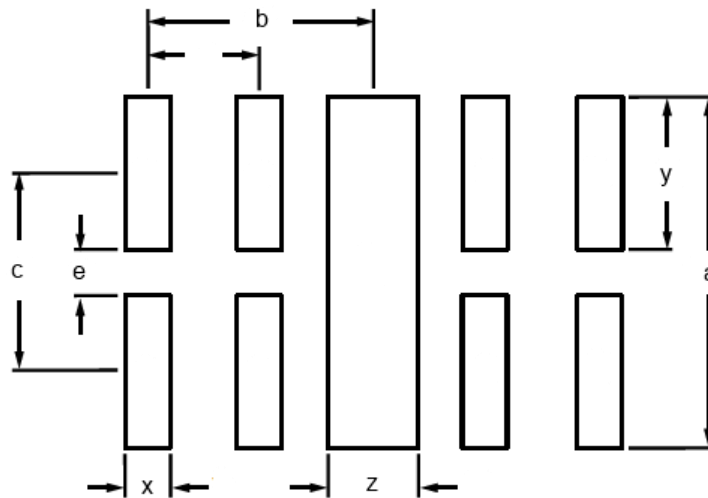
**DEVICE OUTLINE**

Outline Dimension				
Symbol	Millimeters		Inches	
	Min	Max	Min	Max
A	2.40	2.60	0.094	0.102
B	0.90	1.10	0.035	0.043
C	0.35	0.45	0.013	0.018
C1	0.20	0.30	0.007	0.012
D	0.35	0.45	0.013	0.018
E	0.50TYP		0.020TYP	
F	0.15	0.25	0.006	0.010
G	0.45	0.55	0.018	0.021
d	0.00	0.05	0.000	0.002
h	0.15TYP		0.006TYP	



**LAYOUT PAD DIMENSION**

Layout PAD Dimension				
Symbol	Millimeters		Inches	
	Min	Max	Min	Max
a	1.55TYP		0.062TYP	
b	0.95	1.05	0.037	0.041
c	0.88TYP		0.034TYP	
e	0.15	0.25	0.006	0.010
x	0.20TYP		0.008TYP	
y	0.65	0.70	0.026	0.028
z	0.35	0.45	0.014	0.018



Revision History	Modification Description
Rev.1.0	Initial Release
Rev.1.01	Edit Document Layout