

Ultra Low Capacitance Uni-directional TVS

IEC Compliance

- ◆ IEC 61000-4-2 (ESD)
8KV - Contact Discharge
15KV - Air Discharge
- ◆ IEC 61000-4-4 (EFT) 40A (5/50ns)

Application

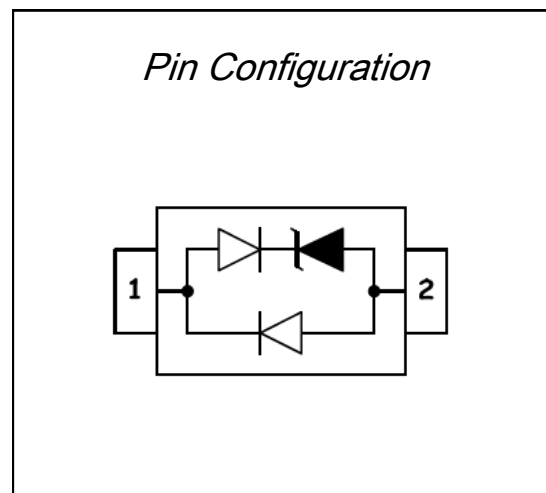
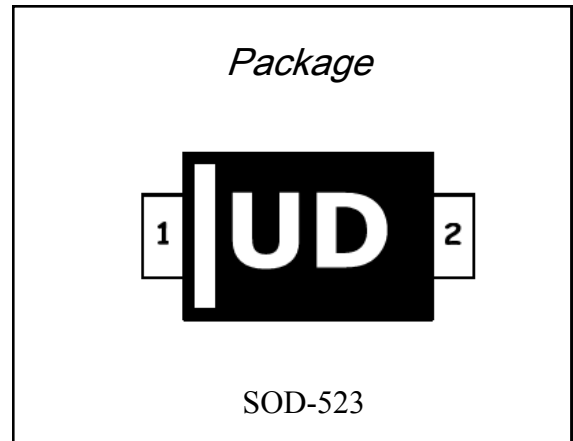
- ◆ High Speed I/O
- ◆ Embedded System
- ◆ Handheld Device
- ◆ Computer

Features

- ◆ 100W Peak Pulse Power
- ◆ Low Clamping Voltage
- ◆ Low Leakage Current
- ◆ Single Line, Uni-Directional

Mechanical Characteristics

- ◆ SOD-523 Package
- ◆ Weight 2 Milligram (Approximate)
- ◆ Flammability Rating UL94V-0
- ◆ Lead Free Plating
- ◆ Reel Size 7"
- ◆ 3,000 PCS Per Reel



DEVICE CHARACTERISTICS

Maximum Rating			
Parameter	Symbol	Value	Units
Peak Pulse Power (tp=8/20us waveform)	P _{PP}	100	Watt
Lead Soldering Temperature	T _L	260 (10s)	°C
Operating Temperature Range	T _J	-55~150	°C
Storage Temperature Range	T _{STG}	-55~150	°C

Electrical Characteristics (@25 °C)							
Part Number	Device Marking	V _{RWM} (Volt)	V _B (Volt)	V _C (Volt)	I _{PP} (A)	I _R (uA)	C _J (pF)
NLULC0501T	UD	5	6	23	3	1	0.7

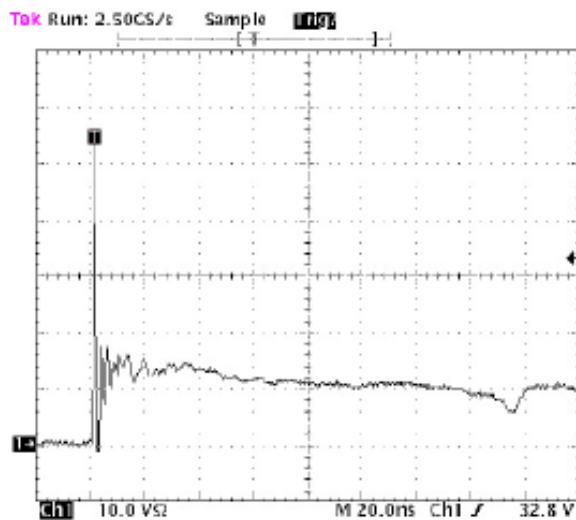


Figure1. Clamping waveform of positive 8KV ESD contact

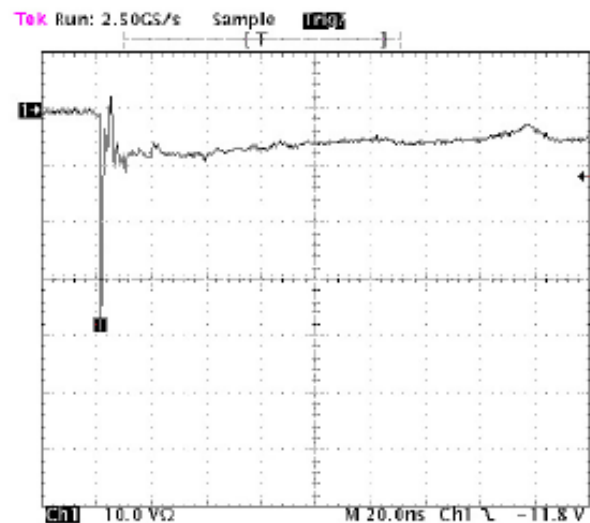
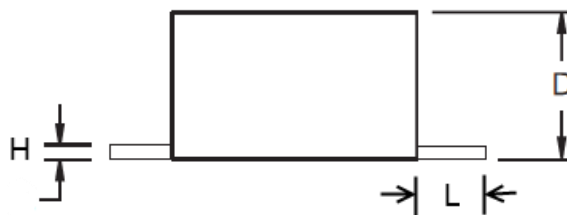
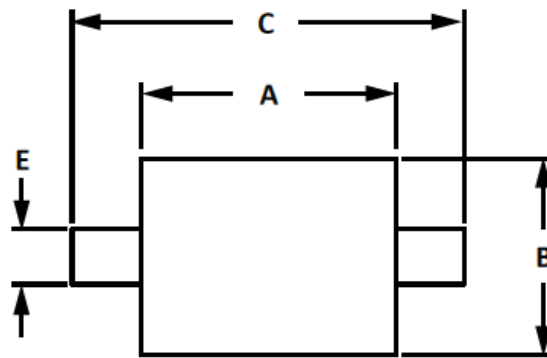


Figure2. Clamping waveform of negative 8KV ESD contact

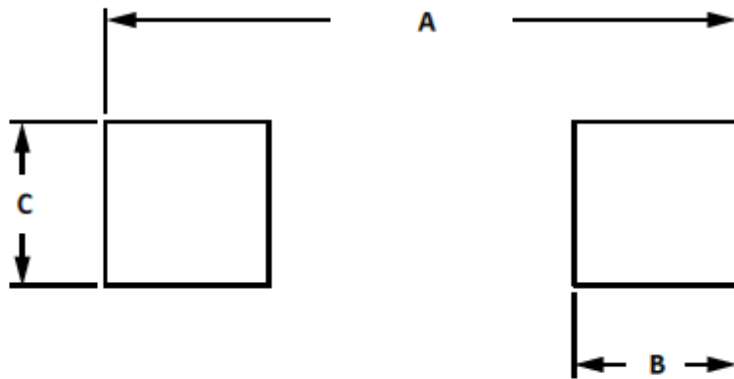
DEVICE OUTLINE

Outline Dimension				
Symbol	Millimeters		Inches	
	Min	Max	Min	Max
A	1.10	1.30	0.043	0.051
B	0.70	0.90	0.028	0.035
C	1.50	1.70	0.059	0.067
D	0.50	0.70	0.020	0.028
E	0.25	0.35	0.010	0.014
H	0.07	0.20	0.0028	0.0079
L	0.15	0.25	0.006	0.010



LAYOUT PAD DIMENSION

Layout PAD Dimension				
Symbol	Millimeters		Inches	
	Min	Max	Min	Max
A	1.80	2.00	0.071	0.079
B	0.40	0.42	0.016	0.017
C	0.40	0.50	0.016	0.020



Revision History	Modification Description
Rev.1.0	Initial Release
Rev.1.01	Edit Document Layout