

5Φ SURFACE MOUNT 3 - ELECTRODE GDT

Features

- ◆ RoHS Compliant
- ◆ Long Service Life
- ◆ Low Capacitance (<2pF)
- ◆ High Surge Capability

Surge Compliance

- ◆ IEC 61000-4-5
- ◆ ITU-T K.21
- ◆ ITU-T K.12

Application

- ◆ T1/E1
- ◆ SLIC Line Interface
- ◆ ADSL/ISDN Line Interface
- ◆ Ethernet
- ◆ CATV
- ◆ Power Line

Mechanical Characteristics

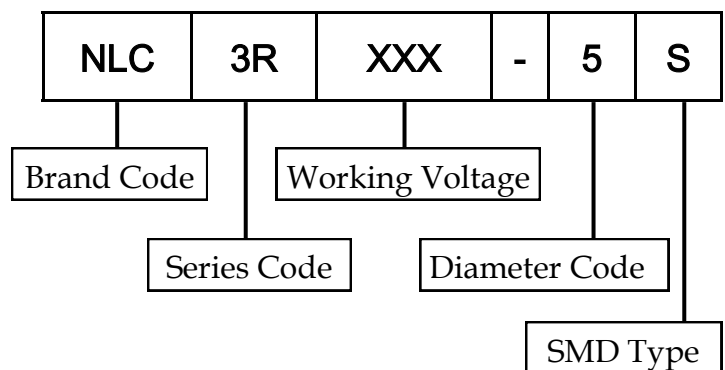
- ◆ 5.0 x 7.2 mm
- ◆ Weight 0.9 Gram (Approximate)
- ◆ Lead Free Plating
- ◆ Reel Size 13"
- ◆ 1,000 PCS Per Reel



3R-5S Series Gas Discharge Tube

Certification	File Number
	E363592

Ordering Information



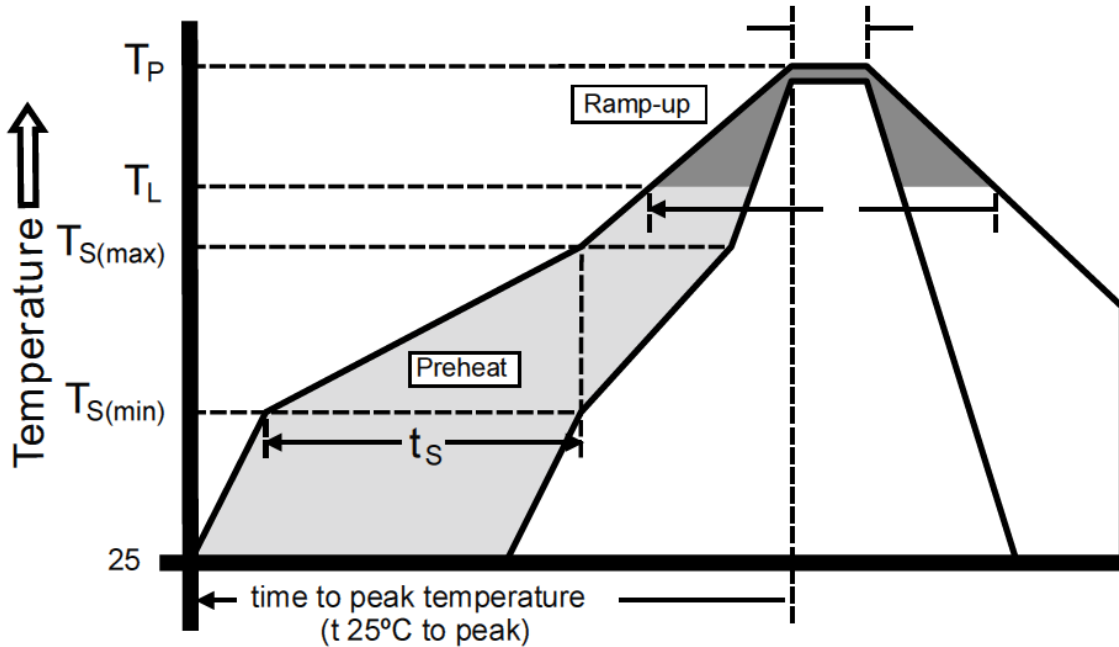
DEVICE CHARACTERISTICS

Maximum Rating			
Parameter	Symbol	Value	Units
Surge Current – 60Hz *Note	I _{AC}	5	A
Capacitance	C _J	2	pF
Lead Soldering Temperature	T _L	260	°C
Operating Temperature Range	T _J	-40~85	°C
Storage Temperature Range	T _{STG}	-40~85	°C

Electrical Characteristics (@25 °C)							
Part Number	DC Break-down	Impulse Breakdown	Impulse Discharge Current	Impulse Life	Insulation Resistance	Insulation Resistance	Insulation Resistance
	100V/s	1KV/us	8/20us	200A @ 10/1000us	50 VDC	100 VDC	250 VDC
	(Volt)	(Volt)	(A)	(Times)	(GΩ)	(GΩ)	(GΩ)
NLC3R075-5S	75 ± 20%	600	5000	300	1	-	-
NLC3R090-5S	90 ± 20%	600	5000	300	1	-	-
NLC3R150-5S	150 ± 20%	600	5000	300	-	1	-
NLC3R230-5S	230 ± 20%	650	5000	300	-	1	-
NLC3R300-5S	300 ± 20%	650	5000	300	-	1	-
NLC3R350-5S	350 ± 20%	800	5000	300	-	1	-
NLC3R400-5S	400 ± 20%	900	5000	300	-	1	-
NLC3R420-5S	420 ± 20%	900	5000	300	-	-	1
NLC3R470-5S	470 ± 20%	900	5000	300	-	-	1
NLC3R600-5S	600 ± 20%	1000	5000	300	-	-	1

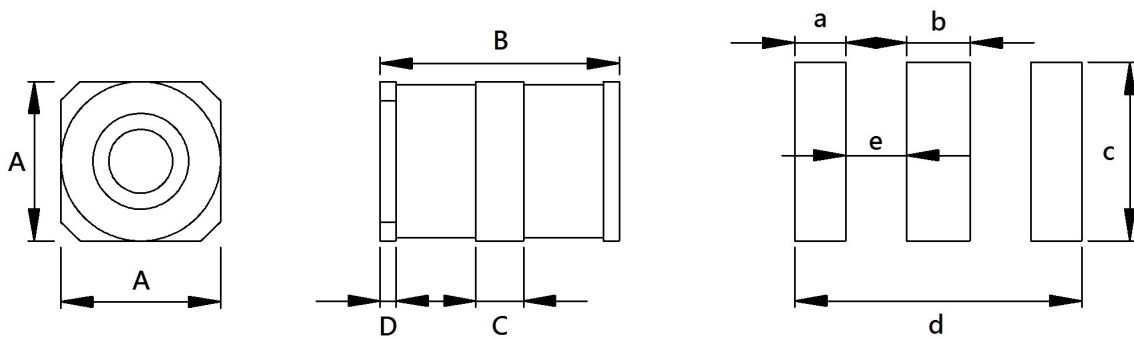
REFLOW PROFILE

Reflow Condition		
Pre-Heat	Temperature Min T_{SMin}	150°C
	Temperature Max T_{SMax}	200°C
	Time Min to Max t_s	60 ~ 180 sec
Average Ramp up Rate to Peak T_L		3°C/sec
T_{SMax} to T_L Ramp up Rate		5°C/sec
Reflow	Temperature T_L	217°C
	Time t_L	60 ~ 150 sec
Peak Temperature T_P		260°C
Time within 5°C of T_P		10 ~ 30 sec
Ramp Down Rate		6°C/sec
Time 25°C to T_P		8 min
Do Not Exceed		260°C



DIMENSION

Outline Dimension				
Symbol	Millimeters		Inches	
	Min	Max	Min	Max
A	4.8	5.2	0.188	0.204
B	6.9	7.5	0.272	0.295
C	1.5TYP		0.059TYP	
D	0.4TYP		0.016TYP	
a	1.6		0.063	
b	2.0		0.078	
c	5.6		0.220	
d	9.0		0.354	
e	1.9		0.074	



Revision History	Modification Description
Rev.1.10	Re-organize Series Models