

PoE SURGE PROTECTION DEVICE

General Description

PD1000EE-WM is a surge protection device to provide high surge protection capability to signal path. It employed GDT + SAD design with shunt devices and parallel devices to guarantee the safety of your device, even there is no secondary protection on your board.

Features

- ◆ Gigabit Ethernet
- ◆ Protect all 8 lines (CAT5 / CAT6)
- ◆ IEC 61643-21
- ◆ IEC 61000-4-5

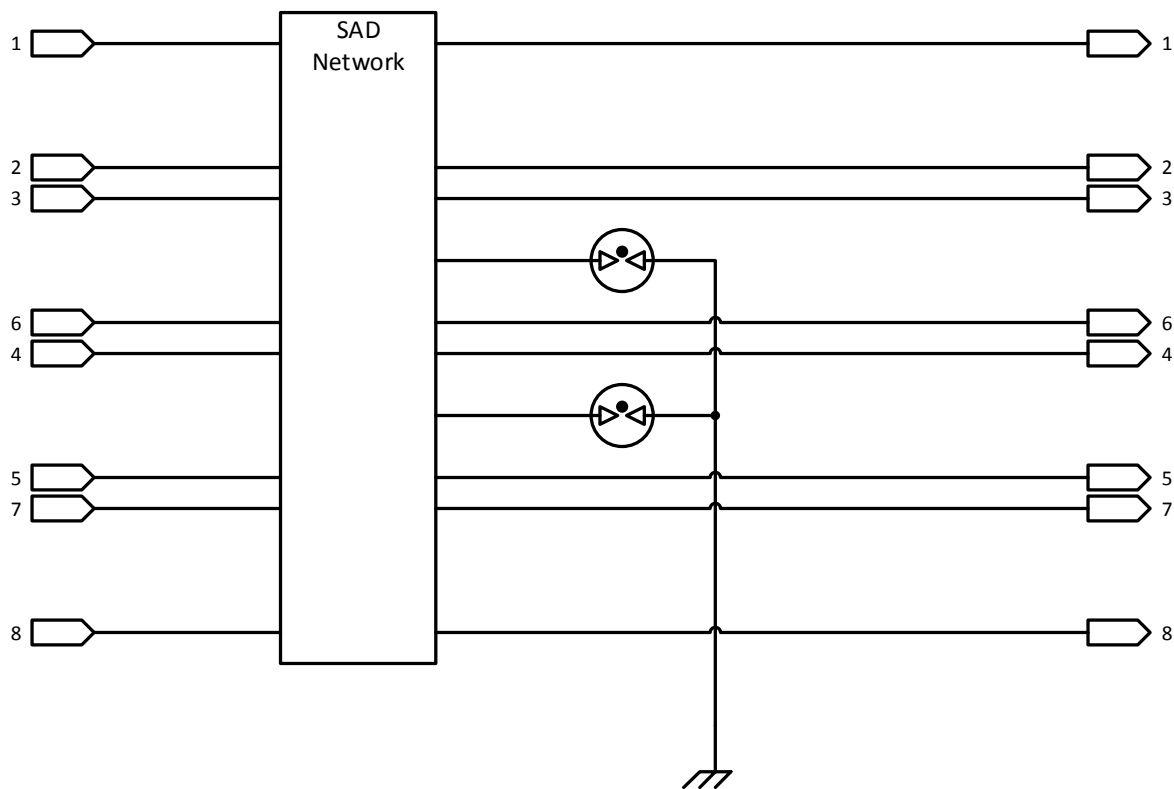


Fig.1 Equivalent Circuit

DEVICE CHARACTERISTICS

Electrical Characteristics			
Parameter	Symbol	Value	Units
Max Discharge Current (8/20us)	I _{PP}	2	KA
Maximum Operation DC Voltage	V _{DC}	60	V
Common Mode Protection Level (10/700us)	V _{CMP}	10	KV
Differential Mode Protection Level (10/700us)	V _{DMP}	2	KV
Operation Temperature	T _J	-40~85	°C
Data Rate	-	10/100/1000	Mb/s
Insertion Loss @ 10MHz/100MHz	IL (Max)	1	dB
Return Loss @ 10MHz/100MHz	RL (Max)	-20	dB
Response Time	-	5	ns

Transfer Characteristics

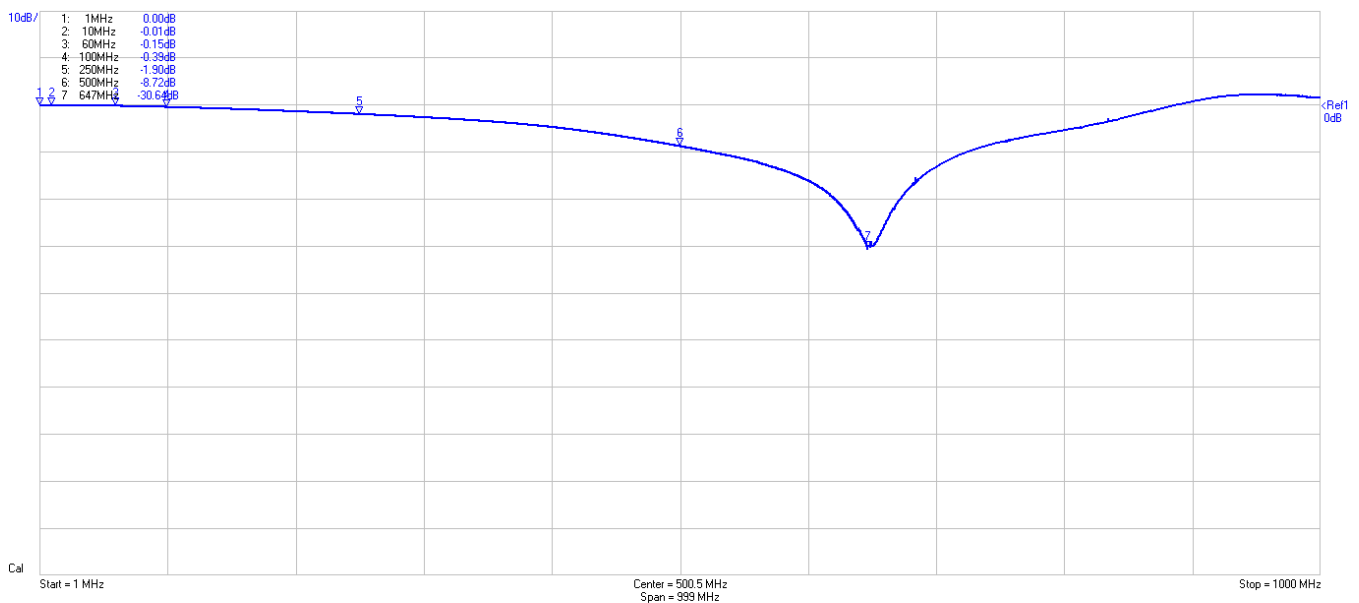


Fig.2 Insertion Loss

TYPICAL APPLICATION

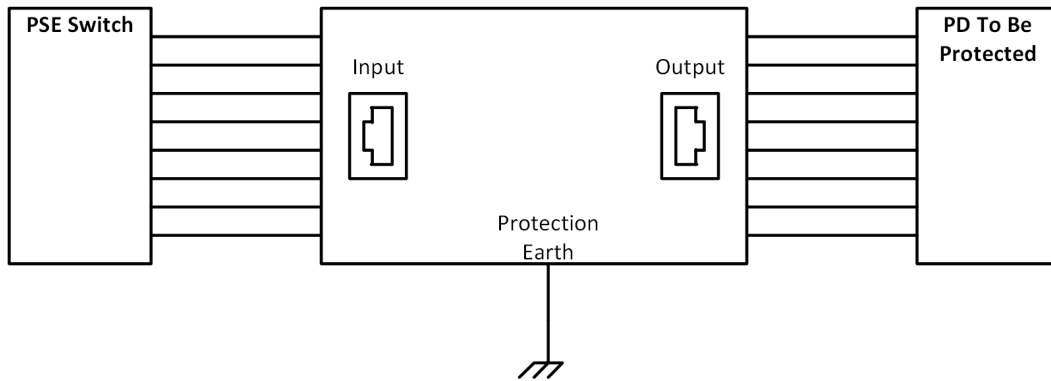


Fig.3 Typical Application

ETHERNET ONBOARD CONFIGURATION

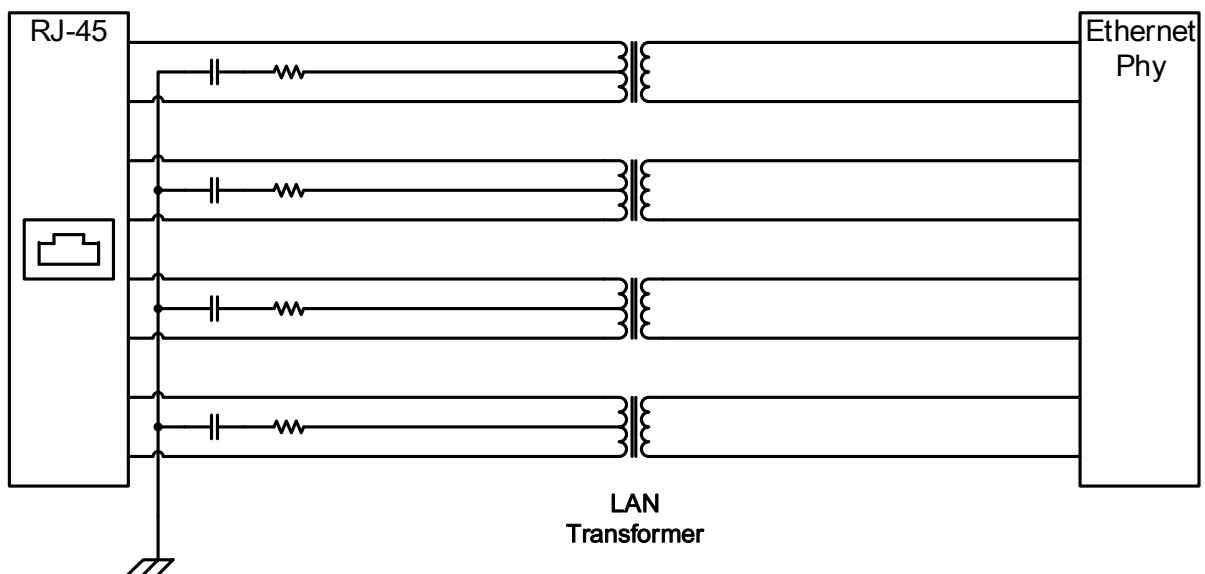
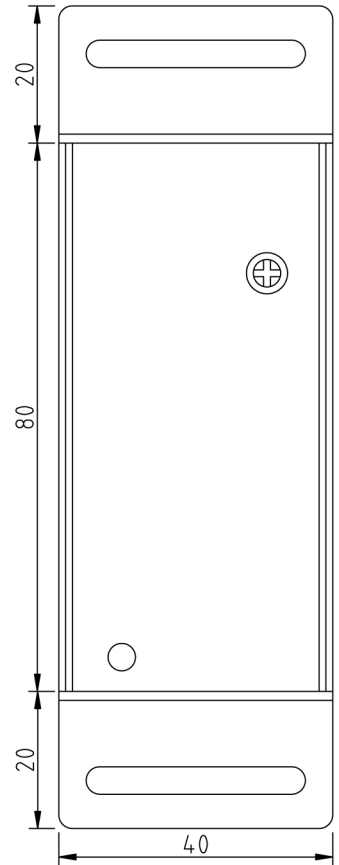
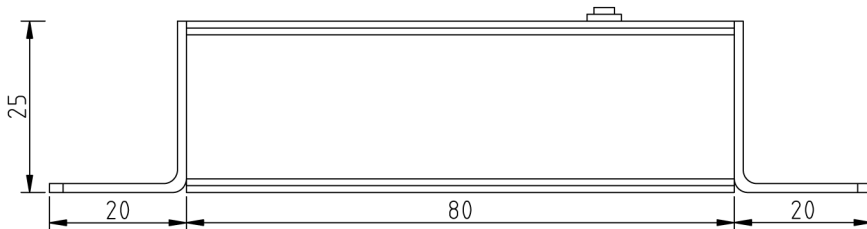
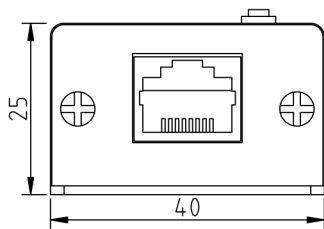


Fig.4 Recommend LAN Configuration

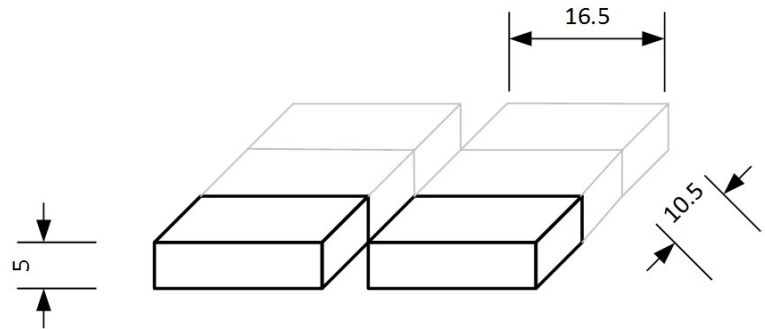
DEVICE OUTLINE

Dimension : mm

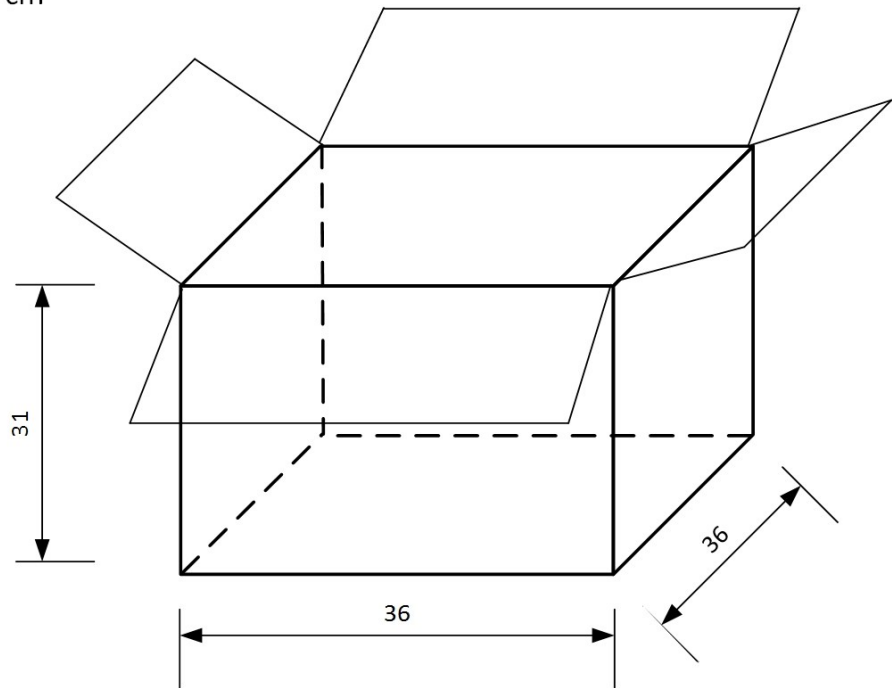
Weight : 110g



PACKING



Inner Box : 16.5 x 10.5 x 5 cm
 Carton : 36 x 36 x 31 cm
 Qty : 36 PCS/Carton



Revision History	Modification Description
Rev.1.00	Initial Release
Rev. 1.01	Modified Spec.