

COAXIAL SURGE PROTECTION DEVICE

General Description

PD05-CATV is a surge protection device to prevent Coaxial Equipment from damage of surge impulse. This design is fit for CATV/TVI/CVBS application.

Features

- ◆ Analog Video
- ◆ Protect Common Mode and Differential Mode
- ◆ IEC 61000-4-5
- ◆ IEC 61643-21

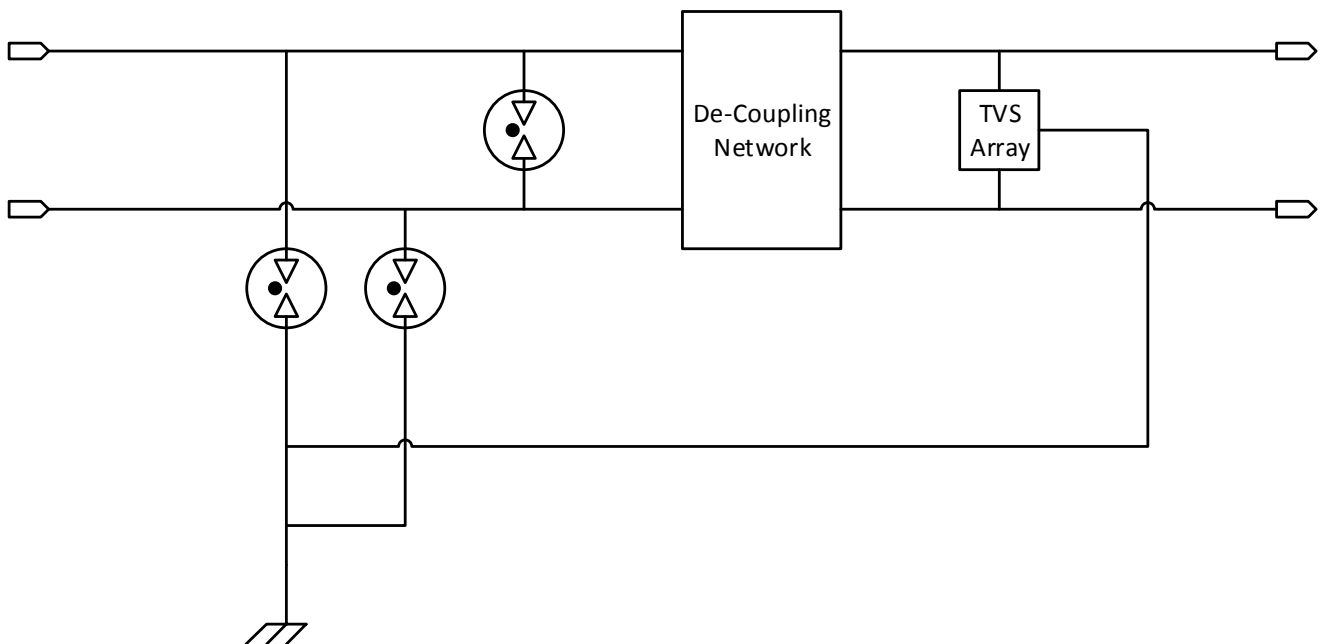


Fig.1 Equivalent Circuit

DEVICE CHARACTERISTICS

Electrical Characteristics			
Parameter	Symbol	Value	Units
Max Discharge Current (8/20us)	I_{PP}	5	KA
Maximum Operation DC Voltage	V_{RWM}	6	VDC
Maximum Operation DC Current	I_{DC}	100	mA
Power Dissipation @ 100mA	P_D	0.3	W
Common Mode Protection Level (10/700us)	V_{CMP}	10	KV
Differential Mode Protection Level (10/700us)	V_{DMP}	10	KV
Common Mode Clamping Voltage	V_{CCM}	20	V
Differential Mode Clamping Voltage	V_{CDM}	20	V
Operation Temperature	T_J	-40~85	°C
Response Time	-	5	ns

Transfer Characteristics

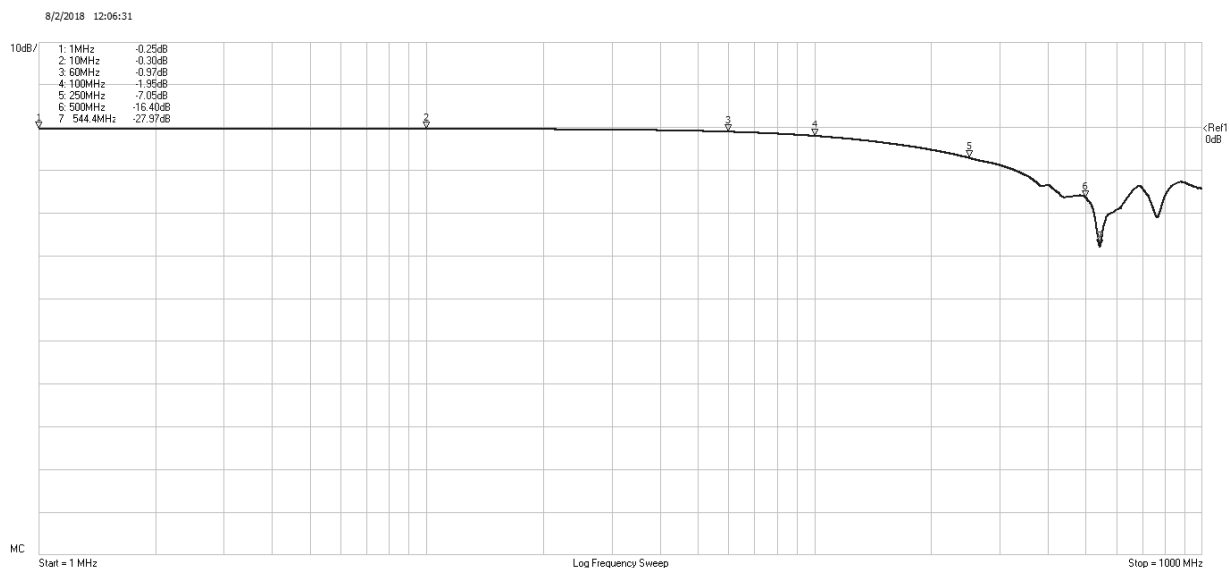


Fig.2 Insertion Loss

TYPICAL APPLICATION

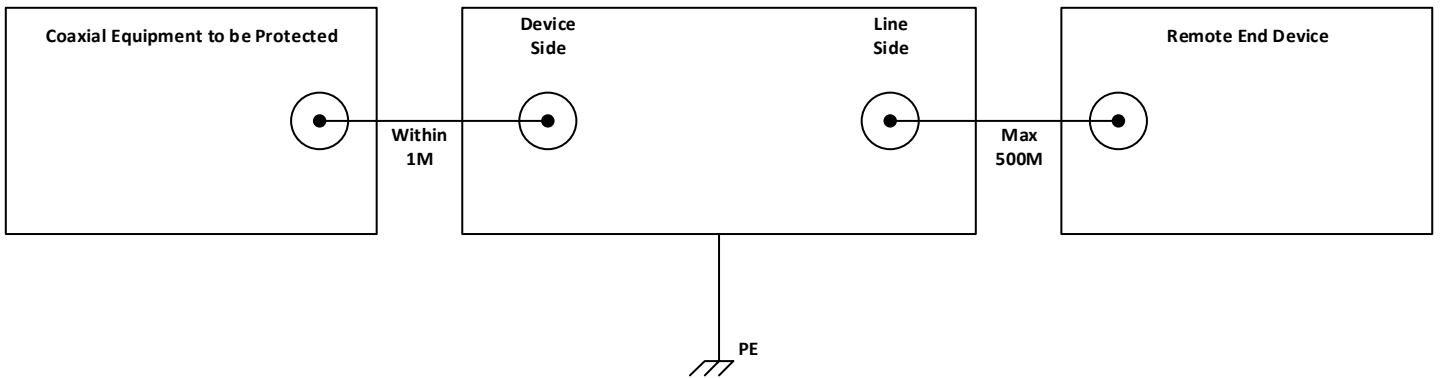


Fig.3 Typical Application

COAXIAL ONBOARD CONFIGURATION

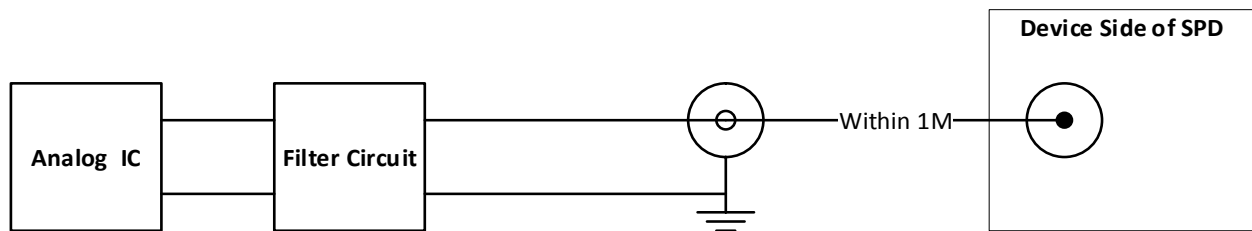
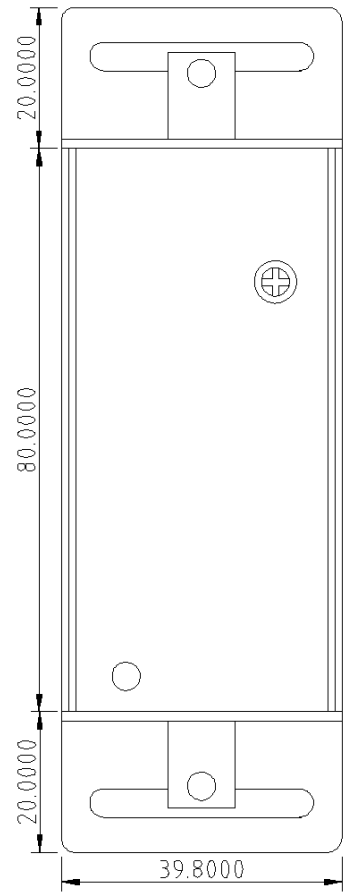
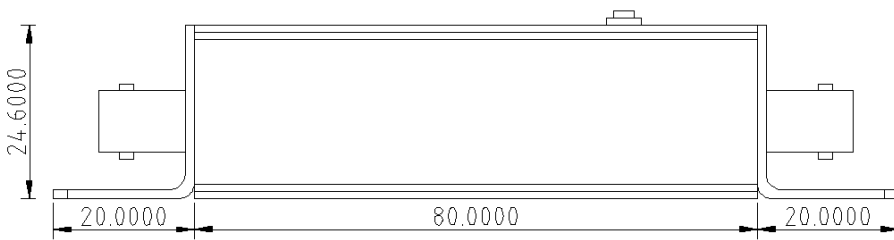
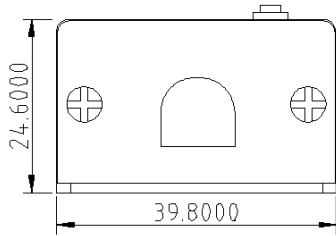


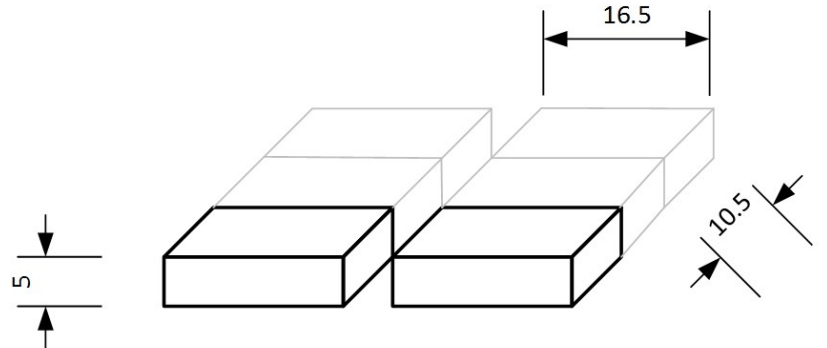
Fig.4 Recommend Coaxial Configuration

DEVICE OUTLINE

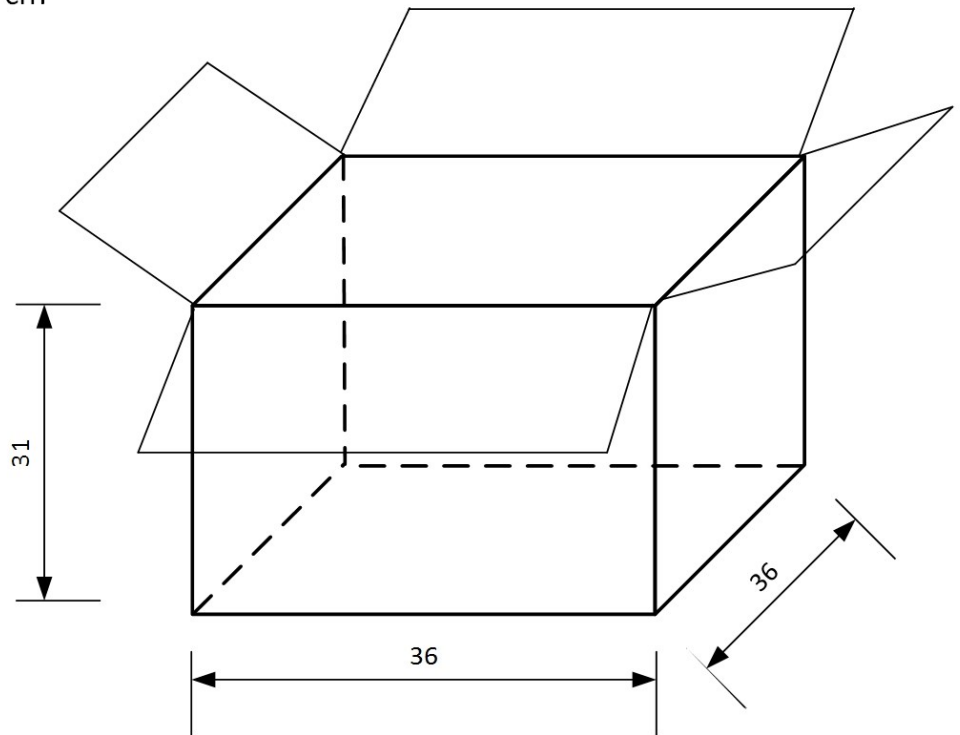
Dimension : mm



PACKING



Inner Box : 16.5 x 10.5 x 5 cm
 Carton : 36 x 36 x 31 cm
 Qty : 36 PCS/Carton



Revision History	Modification Description
Rev.1.0	Initial Release